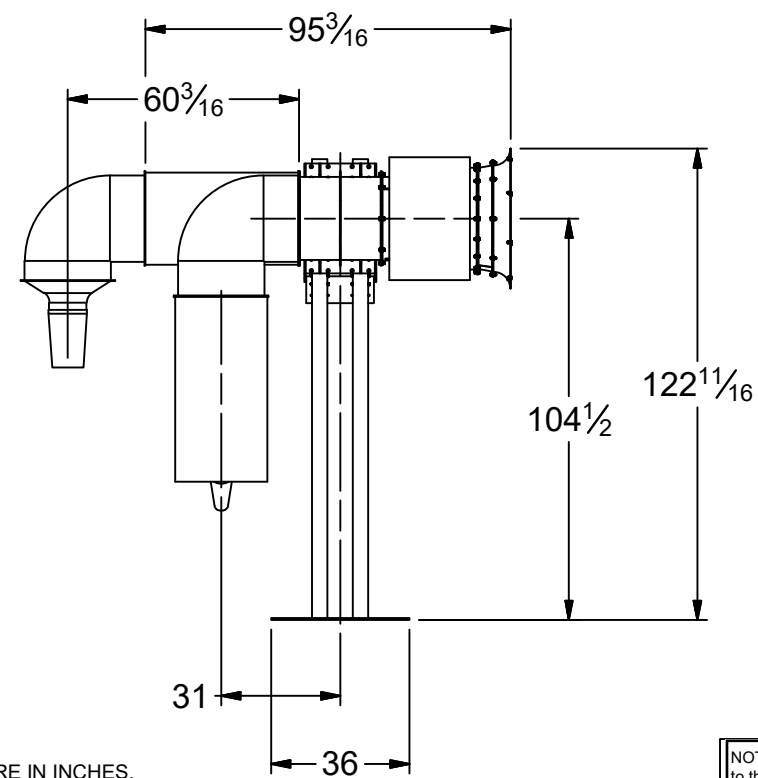


84
THIS HEIGHT
IS ADJUSTABLE
FROM
84"-120"



GENERAL NOTES:

1. UNLESS OTHERWISE SPECIFIED ALL DIMENSIONS ARE IN INCHES.
2. ALL FORMS ARE UP, UNLESS OTHERWISE SPECIFIED.
3. DIMENSIONS IN () ARE FOR REFERENCE ONLY.

NOTICE: This drawing is property of International Drying Corporation and is loaned subject to the condition that it shall not be reproduced, copied, loaned or submitted to outside parties without our consent.

DESCRIPTION:

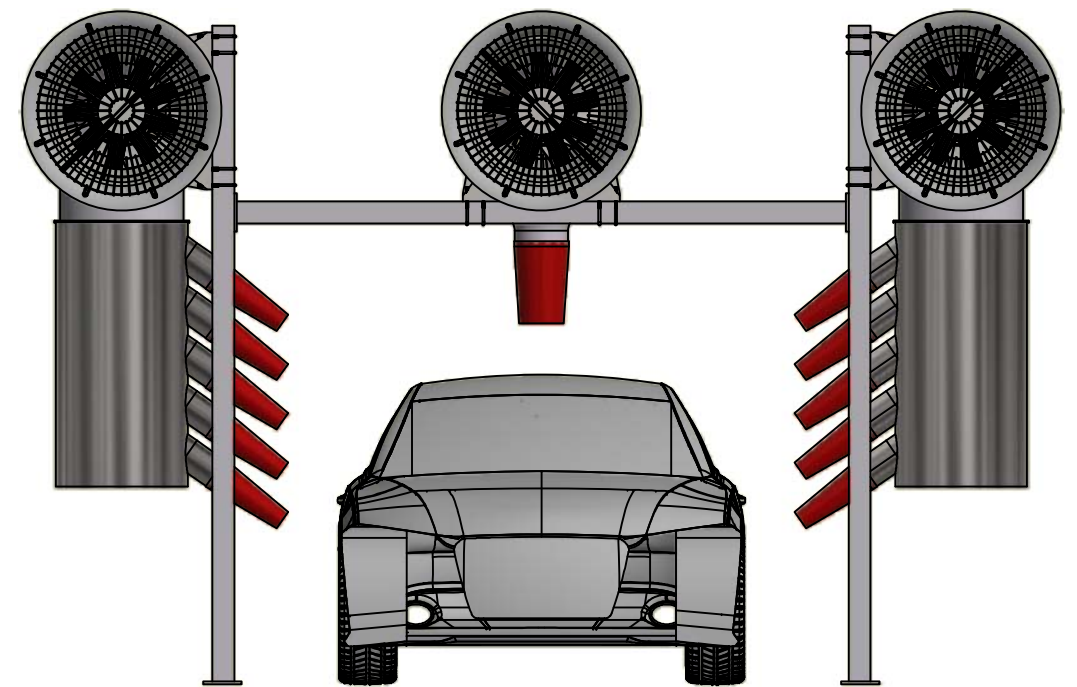
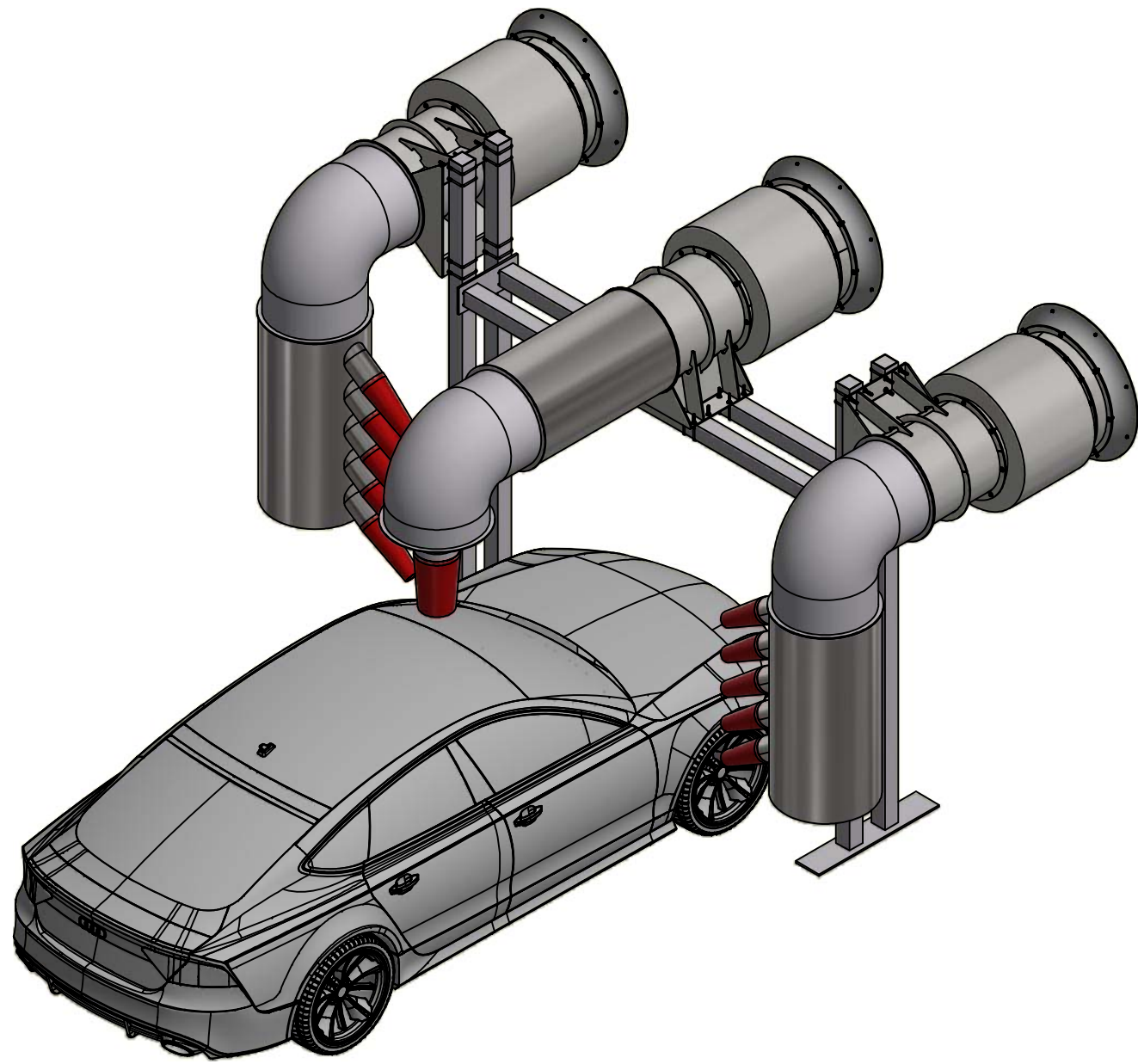
PROJECT:

FILE NUMBER: _____
 SEQUENCE: _____
 DRAWN BY: bogucki
 DRAWN DATE: 1/31/2018
 ENGINEER: _____
 SCALE: _____

International Drying Corporation
 2510 IL Route 176, Suite G
 Prairie Grove, IL 60014
 Phone (800) 736-6412
 Art@InternationalDrying.com

PART NUMBER
 WSP II-10
WITH ARCHES

DWG. SIZE	MAT'L:	REV.
B	TOL: ± MASS: 2875.7 lbmass	A



GENERAL NOTES:

1. UNLESS OTHERWISE SPECIFIED ALL DIMENSIONS ARE IN INCHES.
2. ALL FORMS ARE UP, UNLESS OTHER WISE SPECIFIED.
3. DIMENSIONS IN () ARE FOR REFERENCE ONLY.

NOTICE: This drawing is property of International Drying Corporation and is loaned subject to the condition that it shall not be reproduced, copied, loaned or submitted to outside parties without our consent.

DESCRIPTION:

PROJECT:

FILE NUMBER: _____
 SEQUENCE: _____
 DRAWN BY: bogucki
 DRAWN DATE: 1/31/2018
 ENGINEER: _____
 SCALE: _____

International Drying Corporation
 2510 IL Route 176, Suite G
 Prairie Grove, IL 60014
 Phone (800) 736-6412
 Art@InternationalDrying.com

PART NUMBER
 WSP II-10
WITH ARCHES

DWG. SIZE	MAT'L: _____	REV.
B	TOL: ± _____ MASS: 2875.7 lbmass	A