



STEALTH PREDATOR DRYING SYSTEM



THE FIRST "ULTRA QUIET" DRYING SYSTEM

- ✓ Patent pending Reverse flow technology
- ✓ Producers constructed from 304 surgical stainless steel
- ✓ Over 11,000 cubic feet per minute (CFM) per 10HP motor
- ✓ Meets or exceeds most U.S. and International sound regulations
- ✓ Sound & Performance studies done in reverberant sound room ISO 3741:2010, 3747:2010



SCAN ME

CALL US ANYTIME



(+1) 815 477 4911

EMAIL US



info@internationaldrying.com

FIND US



Internationaldrying.com

VISIT US



International Drying Corporation
160 Chicago St
Cary, IL 60013

Stealth Predator Ultra-Quiet Drying System Specifications

30HP System - Total Sound 60Hz

80HP System - Total Sound 60Hz

Q = sound source

65 dBA at Q=1, 30 feet

69.4 dBA at Q=1, 30 feet

61.8 dBA at Q=1, 45 feet

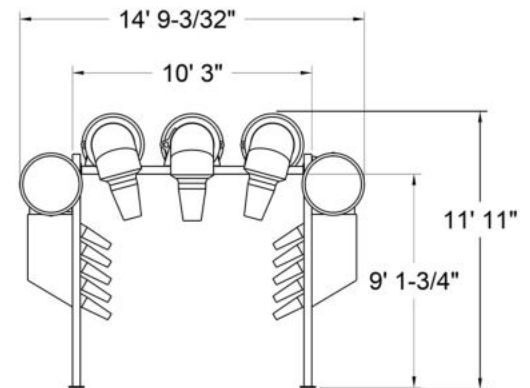
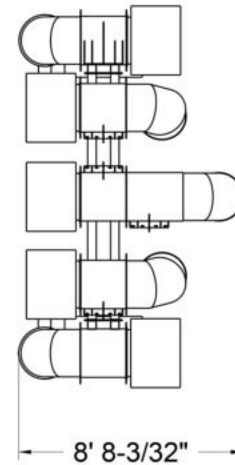
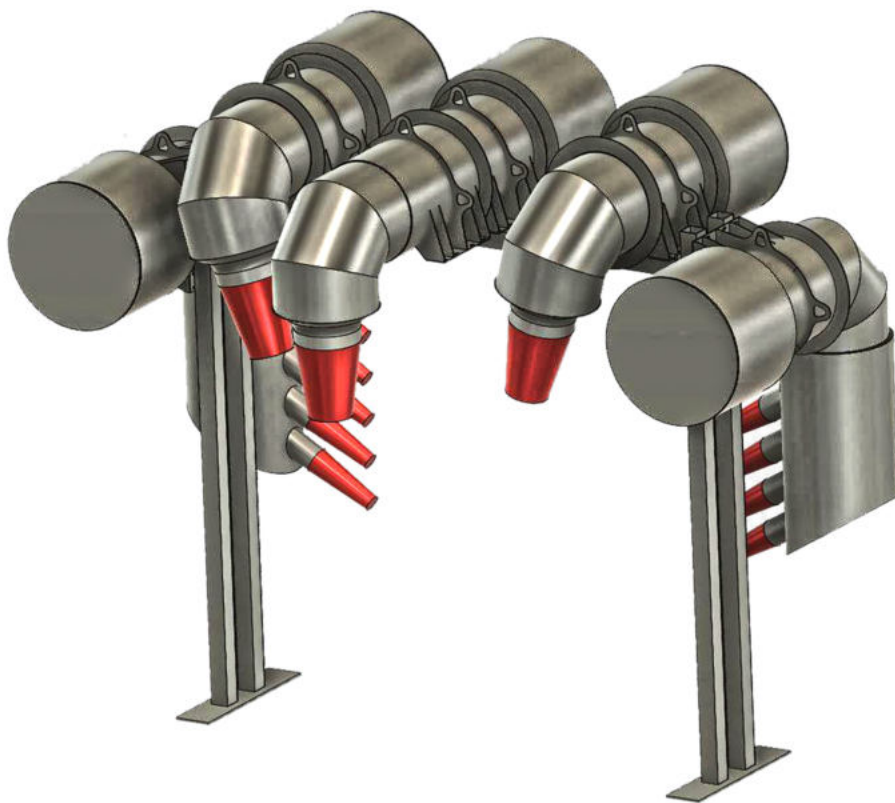
66.5 dBA at Q=1, 45 feet

60.2 dBA at Q=1, 55 feet

64.9 dBA at Q=1, 55 feet

Meets OSHA Sound Exposure Requirements

✓ The Stealth Predator features patent pending "Reverse flow air technology" which creates the first "Ultra-Quiet Dryer" and is the most powerful Ultra Quiet Dryer ever designed.



SPECIFICATIONS

15' 2" Bay Width
12' 0" Ceiling Height
96" Standard Clearance

Ducts-Stainless Steel
Molded Aluminum Impellers
Stainless Steel Motor Housings

Closed cell foam nozzles available in red, blue, black

Slotted flanges for adjustability of air outlet and air intake direction